

IPAD CASES  
AND  
MOUNTING SOLUTIONS  
1-22-2014

KRISTIN LESLIE, MAT, OTR/L

So many choices...



# Ablenet- [www.ablenetinc.com](http://www.ablenetinc.com)

- Rugged iPad Case (130.00)

- Shoulder Strap (29.99)

- Mounting:

- Rugged iPad Mounting Plate(259)

Compatible with:

- Hover™ Mounting System
- Latitude™ Arm Mounting System
- Lever Universal Mounting System
- Friction Knob Universal Mounting System
- 19" Gooseneck Mounting System

(Adjustable iPad Cradle?)



# AMDi- [www.amdi.net](http://www.amdi.net)



- iAdapter4 & 4C (265)
- iAdapter1(198)
- iAdapter Mini (198)
  - ▣ Carrying handle
  - ▣ Dual amplified speakers & Stereo headset jack output
  - ▣ Easy access to iPad 30-pin connector / Lightning Port
  - ▣ Volume control Hi-Low-Off Switch w/ amplifier by-pass mode
  - ▣ Threaded inserts for mounting plates
  - ▣ USB Charging port and wire for iAdapter battery
  - ▣ Shoulder Strap w/ AMDi logo
  - ▣ Protective Covers for home button (Fixed or sliding)
  - ▣ Built-in Detachable Stand
  - ▣ LCD screen Guard

# AMDI- Bluetooth Options built in

- iAdapter4 & 4C w/  
bluetooth (465)
- iAdapter Mini (398)



**\*Moon Switch  
not included**

# Attainment Company

[www.AttainmentCompany.com](http://www.AttainmentCompany.com)

- GoNow Sleek (59)
- GoNow Rugged (79)
- GoNow Mini (49)
  
- ValueFit Case for iPad2,3,4 (14)
  - ▣ Not known for durability



Attainment Company's Website has videos which feature these iPad cases.

# Belkin – [www.belkin.com](http://www.belkin.com)

- Lego Builder case- iPad Mini (59.99)
- Air Protect Case for Mini (29.99)



# Big Grips –

[www.biggrips.com](http://www.biggrips.com)



- Frame (34.95) - iPad
  - ▣ Hipster – case for bigGrips F



**HIPSTER**

For Big Grips Frame

**\$49<sup>95</sup>**

Big Grips Frame, iPad, and earbuds not included.

- Slim (29.95) - iPad
- Tweener (24.95) - iPad Mini
- Buddy(19.95)- iPod Touch



# Griffin –

[www.store.griffintechnology.com](http://www.store.griffintechnology.com)

- Survivor – mini, 2,3,4<sup>th</sup> gen (79.99)



- Arm Strap Case- mini, 2,3, 4<sup>th</sup> gen (39.99)

# Grip Case- [www.gripcase.com](http://www.gripcase.com)

- GripCase (39.99)
- GripCase MINI (34.99)



- Lightweight, protective
- Easy to carry and hold
- Protective edges are angled inward- the screen doesn't hit the ground if dropped.

# LifeProof- [www.lifeproof.com](http://www.lifeproof.com)

- LifeProof nuud (129.99)  
Strap Accessory (34.99)  
LifeJacket (59.99)
- Nuud or Fre (99.99) – mini



- ▣ **Built-in scratch protector protects touchscreen**
- ▣ **The most comprehensive device protection available**
- ▣ **Completely waterproof, drop proof, dirt proof and snow proof**

# M-Edge – [www.medgestore.com](http://www.medgestore.com)

- SuperShell (34.99)  
Mini, 2, 3, 4<sup>th</sup> gen



# Otterbox - [www.otterbox.com](http://www.otterbox.com)

- Defendor iPad 2,3, 4<sup>th</sup> gen, Mini (60.00)



- Reflex –iPad 2,3 4<sup>th</sup> gen (55.00)



# Trident Cases

[www.tridentcase.com](http://www.tridentcase.com)

- Aegis (49.95)
- Kraken (69.95)



# iGuy Standing Cover (29.65) by Speck Products

- ❑ Drop-tested
- ❑ Lightweight, flexible, foam construction
- ❑ Free-standing.
- ❑ Handles
- ❑ For iPad and iPad Mini





# Gumdrop Cases

<http://www.gumdropcases.com/>

- Hideaway Case for iPad 2,3,4 (69.95)
- Drop Tech Case for iPad 2,3,4 (59.95)



**MOUNTING SOLUTIONS...**  
**CRITICAL ELEMENT FOR**  
**COMMUNICATION AND ACCESS**  
**SUCCESS**



# Mounting



# Rehadapt - Custom Mounting Solutions

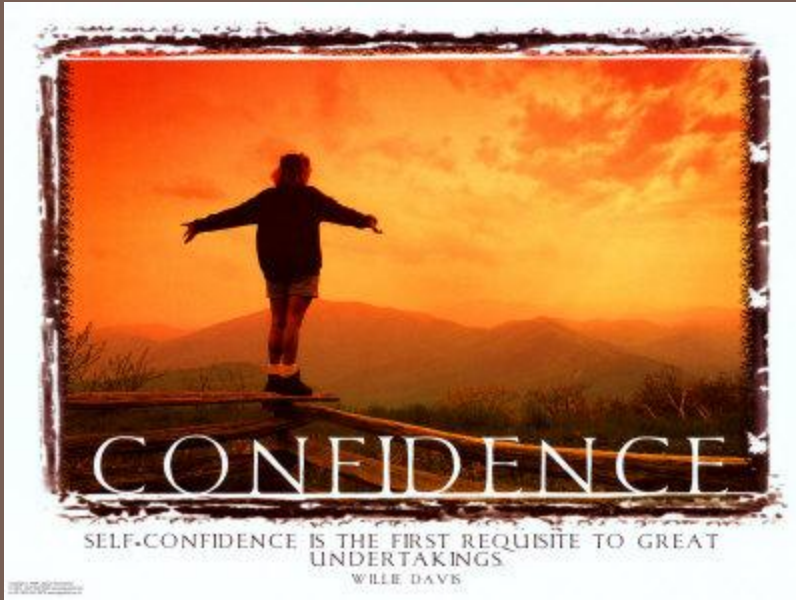
<http://www.rehadapt.de/vms.php>

- Custom Mounting Options
  - Virtual Mounting Solution (VMS)
  - 3-Dimensional Adjustability
  - Product Quality
  - R&D Emphasis
  - Successful Solutions



[office.NA@Rehadapt.com](mailto:office.NA@Rehadapt.com)  
904.687.0130

# Mounting... Ownership



**VMS Example #1**  
**Original Image & CAD Solution**



## VMS Example #1 Mount & Assembly





# VMS Example #1

## Quote for Documentation



**7619 A1A South**  
**St. Augustine, FL 32080**

**Tel: 904.687.0130**  
**Fax: 904.342.6278**

**Web: www.rehadapt.com**  
**Email: info.na@rehadapt.com**

**Number: 12090**  
**Date: 26.06.2012**  
**Cust. No.: 6000**  
**Sales Manager: M. Slowakiewicz**

REHAdapt North America • 7619 A1A South St Augustine • FL 32080

**Offer 12090**

Dear Sir or Madam,

we appreciate very much your inquiry and quote as follows:  
VMS#1342

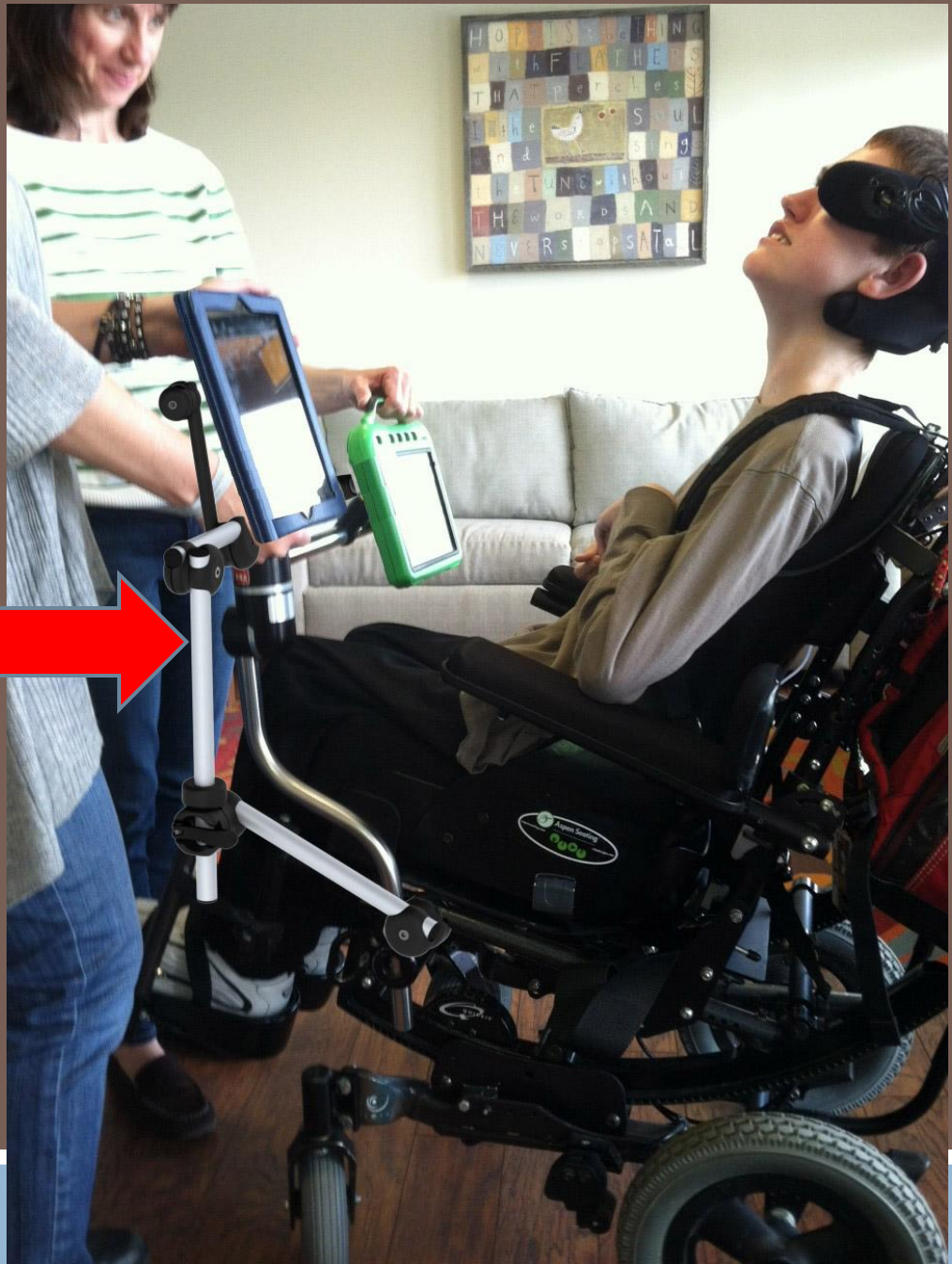
Pos	Article No	Description	Qty	Unit Price [USD]	Disc. [%]	Total [USD]
10	11.2016	MONTY-3D S- SPECIAL SPIELFREIES Stativsystem für Kommunikationshilfe zur Rollstuhlmontage bestehend aus M3D-1 Basis (#11.1100), M3D-2-Schwenklager S (#11.1220), M3D-3-Universal (11.1300), M3D-Rohrsatz (#11.1400) und UGA22 (#16.1000).	1,000pcs	811,00	0	811,00
20	00.000	Replacement and Tubekit length Replacement of RKL 25 for RKL 32. Tube-Kit Length 300x200x300	1,000pcs	0,00	0	0,00

Subtotal		811,00
Tax free export delivery	811,00	
Packaging and/or shipping w/o VAT	0,00	
Delivery terms: free delivery		
<b>Total Value</b>		<b>811,00 USD</b>

Payment terms: 60 days netto  
Shipment by: UPS  
Delivery terms: free delivery



**VMS Example #2**  
**CAD Solution**





## VMS Example #2 Hybrid Mounting Solution



## VMS Examples Wheelchair & Bed



## VMS Examples Original & CAD Image



## VMS Examples CAD Images



# VMS - 6 Step Process

## Here's How It Works in 6 Easy Steps:

1. Take about 5 pictures from different angles of area where mount needed (you can use your cell phone, iPad, tablet, or digital camera)

It is best to take the pictures from the front, facing the wheelchair (head-on and 2 pictures at a front facing angle). Also a picture showing the place where the mount may attach to the wheelchair.

2. Provide make and model of wheelchair

3. Provide make and model of device/switch to be used (if known)

4. Desired mounting side: Right or Left

5. Please include all of your contact information

6. Email the images and information (steps 2-4) to: [office.na@rehadapt.com](mailto:office.na@rehadapt.com)

Allow 3 business days to process

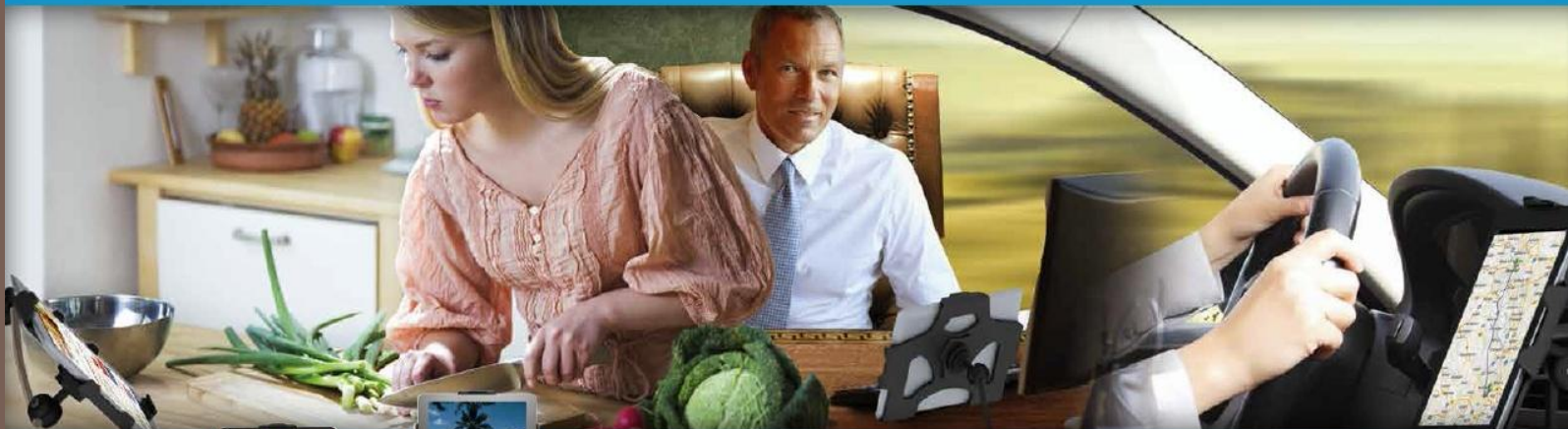
## Advantages of the VMS

- **Individual** customization
- **Taking the Guess Work Out...** Simple but exact selection of the best mounting solution
- **Time Saver...** can be completed in less than 5 minutes!
- **Virtual** representation of proposed mounting solution
- **Archived** list of all parts needed with a exclusive ID#... can be used at a later time

# Tablet & Other Device Mounts...

## iDevice Mounts

## iDevice Mounts



**Short arm**  
(#14.1044, \$ 170)

**Medium arm**  
(#14.1046, \$ 240)

**Long arm**  
(#14.1048, \$ 298)



Adapters for  
ANY device  
available!

A selection of iDevice-Mounts to clamp on a board.  
All joints fully 3D-adjustable. Device not included.



Your device?  
Ask us for  
compatible solutions.



Your arm length?  
Flexi or Sturdy?  
We help you finding your  
Mount Solution!



Your attachment?  
Ask us for advice.

## Our new tablet mount line

**Looking  
for  
more**



QR-Code to article list  
or visit our new designed  
website  
[www.rehadapt.com](http://www.rehadapt.com)

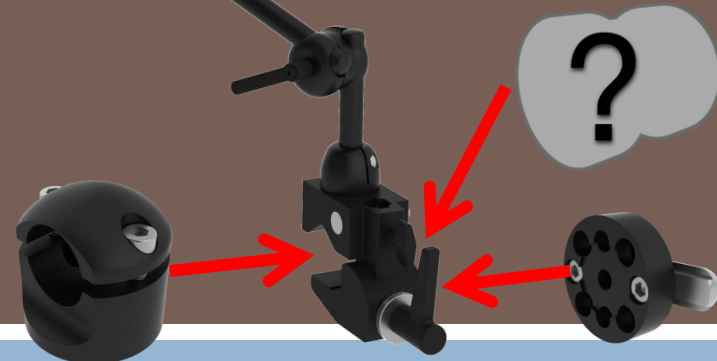
Being true to the way REHΔdapt mounts are designed, the new MCM-Tablet-Mount can be adjusted 3-Dimensionally. This makes it easy to enter and exit a wheelchair with minimal adjustment.







**We can Customize for You Needs**



# Assessment Kit

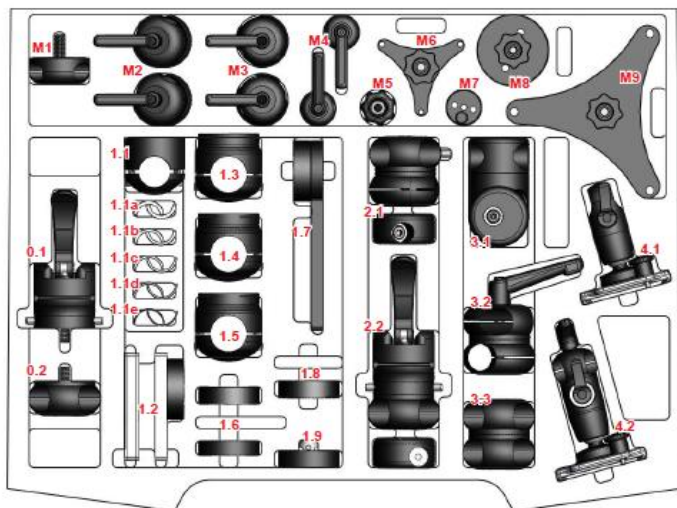




# Assessment Kit

## 1. Case Contents

### 1.1 Case Bottom



#### Monty-3D (M3D)

w/c - Frame Attachments (1)

0.1	#11.1222	M3D-2-Swivel Joint S TC
0.2	#11.1102	M3D-1-Base Special

1.1	#11.1125	M3D-RKL-25
1.1a	#01.2519	Sleeves 25>19
1.1b	#01.2520	Sleeves 25>20
1.1c	#01.2521	Sleeves 25>21
1.1d	#01.2522	Sleeves 25>22
1.1e	#01.2523	Sleeves 25>23
1.2	#11.1060	M3D-RKL-E30-70
1.3	#11.1130	M3D-RKL 30
1.4	#11.1132	M3D-RKL 32
1.5	#11.1136	M3D-RKL 36
1.6	#11.1065	M3D-RKL-E30
1.7	#11.1062	M3D-RAD-PerUNI
1.8	#11.1074	M3D- Uni Mounting plate
1.9	#11.1069	M3D-T-NUT

#### Monty-3D (M3D)

Swivel Joints (2)

2.1	#11.1200	M3D-2- Swivel-Joint
2.2	#11.1220	M3D-2- Swivel-Joint-S

#### Monty-3D (M3D)

Tube Couplings (elbows) (3)

3.1	#11.1320	M3D-3-KG KU
3.2	#11.1350	M3D-3-UNI QS L
3.3	#11.1300	M3D-3-UNI

#### Monty-3D (M3D)

Quick-Release Sockets (4)

4.1	#16.1050	UDS QS
4.2	#16.1051	UDS DC

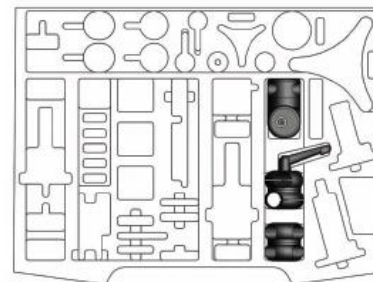
#### Monty-Control-Mount (MCM)

M.1	#14.1101	MCM16-1-Base Special
M.2	#14.1250	MCM 16-16 QS
M.3	#14.1251	MCM 16-10 QS
M.4	#14.1252	MCM 10-10 QS
M.5	#15.1004	MCM UB 45
M.6	#15.1003	MCM-AB-KD
M.7	#14.8001	MCM-GA-Piko Button
M.8	#15.1006	MA-BB/Specs
M.9	#15.1002	MA-ABN-GD

### Step 6



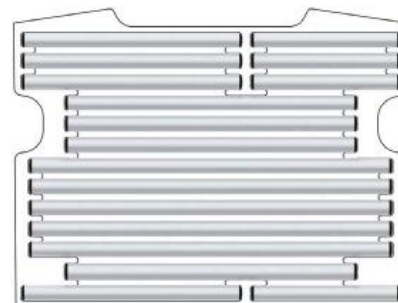
Insert second tube into swivel-joint and select and attach desired tube-coupling(elbow) (3) onto second tube.



### Step 7



Select the third tube as needed and insert into tube-coupling(elbow) (3) as shown and tighten to secure third tube.



# COMPANY CORE ATTRIBUTES:

- CUSTOM MOUNTING OPTIONS
- VIRTUAL MOUNTING SOLUTION (VMS)
- 3-DIMENSIONAL ADJUSTABILITY
- PRODUCT QUALITY
- R&D EMPHASIS
- SUCCESSFUL SOLUTIONS

## RESOURCES:

- VMS

[WWW.REHADAPT.DE/EN/VMS.PHP](http://WWW.REHADAPT.DE/EN/VMS.PHP)

[VMS@REHADAPT.COM](mailto:VMS@REHADAPT.COM)

- REHADAPT NORTH AMERICA

# ModularHose

[www.modularhose.com](http://www.modularhose.com)



AT iPad3 & iPad4 Kit  
\$88.40



Pad 1 thru 4 Holder Kit - Does not fit iPad Air  
\$99.15

# Snakeclamp

<http://snakeclamp.com/>

- SnakeClamp
- Cobra Clamp
- Econo Clamp
- Swing Arm Clamp

Advertised with table clamps, but there is a pole mount available.



These mounts look very reasonable on the website...  
45.00 to 99.95

BUT...There is a chance that you pay for each part as  
separate pieces...

Call this vendor directly with your mounting needs

# Daessy – Lite Mount

<http://www.daessy.com/dms/select.html>

- Custom Mounting Systems
- Call vendor for custom mounting needs and pricing

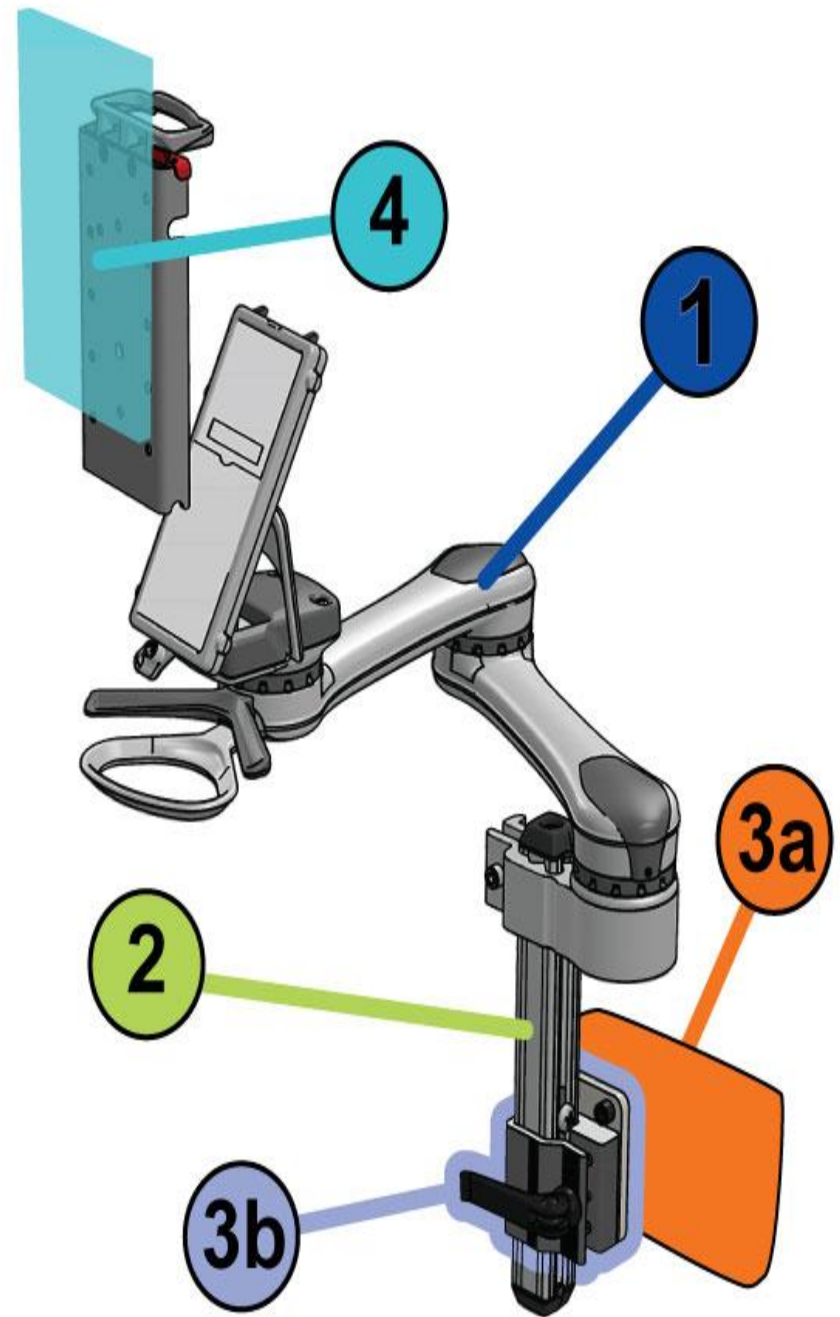




# MountnMover

[www.mountnmover.com](http://www.mountnmover.com)

- Highly Adjustable
- Extremely Stable
- Call Company for pricing



# Additional Resources:

- <http://atclassroom.blogspot.com/>

- **Mounts**

- <http://www.pinterest.com/goodwitching/mobile-device-mounts-stands/>

- **Cases**

- <http://www.pinterest.com/goodwitching/idevice-cases-and-totes/>